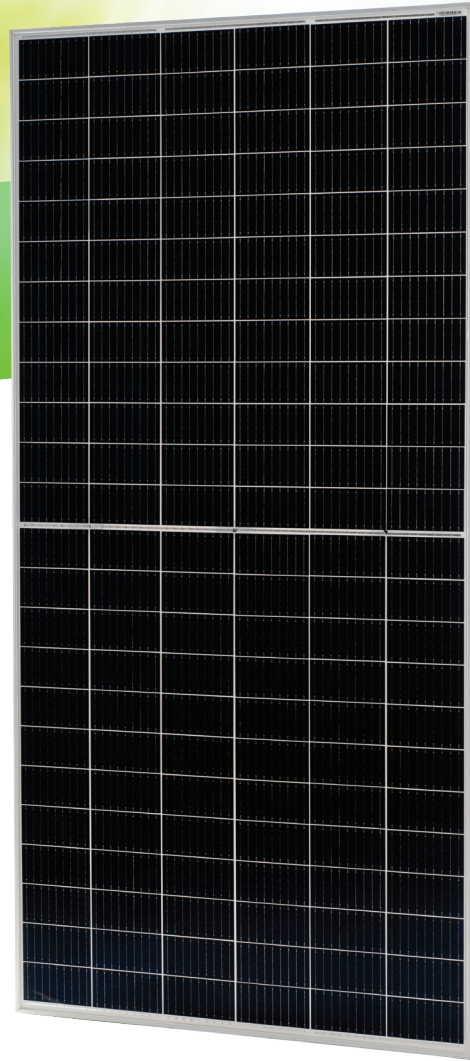


Mono Perc Series

Half-Cell 400 - 415 Wp



Higher output power



Less shading and lower resistive loss



Lower LCOE



Better mechanical loading tolerance

12

12 Year Warranty for Materials and Processing

25

25 Year Warranty for Extra Linear Power Output

Comprehensive Certifications

- IEC 61215, IEC 61730 i.V.
- IEC TS 62941: Terrestrial photovoltaic (PV) modules - Guidelines for increased confidence in PV module design qualification and type approval



20,63%
MAX MODULE
EFFICIENCY

0~+5W
POWER
TOLERANCE

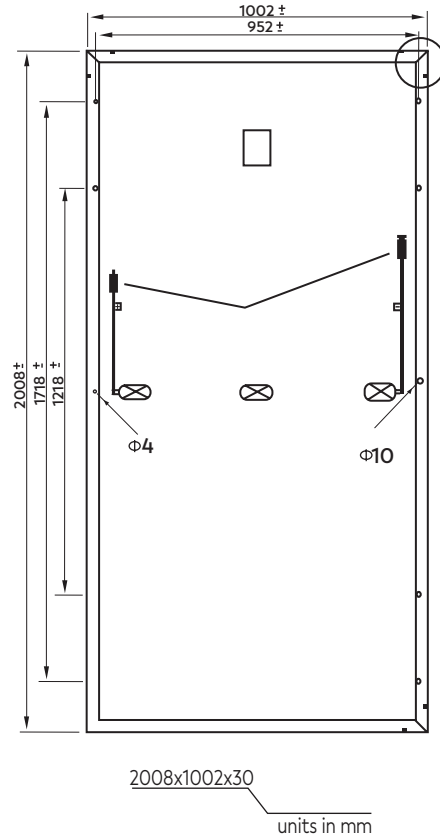
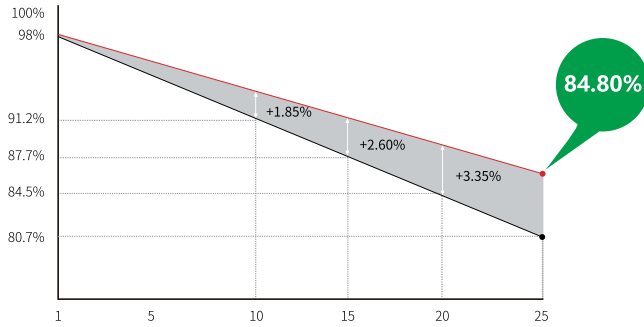
<2%
FIRST YEAR
POWER DEGRADATION

0.55%
YEAR 2-25
POWER DEGRADATION

HALF - CELL
Lower operating temperature

Additional Value

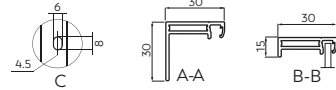
25-Year Power Warranty



Mechanical Parameters

Cell Orientation	144 (6*12*2)
Junction Box	IP65, 3 bypass-diodes
Output Cable	1100mm, 4mm ²
Glass	3,2mm solar glass
Frame	Anodized aluminium
Weight	24kg
Dimensions (mm)	2008*1002*30

Electrical Characteristics



Module Type	Testing Condition	Maximum Power	Open circuit voltage(V)	Short circuit current (A)	Voltage at Maximum power (V)	Current at Maximum Power (A)	Module Efficiency
400WP	STC	400	49,00	10,32	40,60	9,86	19,88%
405WP	STC	405	49,2	10,35	40,80	9,86	20,13%
410WP	STC	410	49,4	10,4	41,00	9,93	20,38%
415WP	STC	415	49,6	10,43	41,20	10,00	20,63%

Operating Parameters

Operational Temp	minus 40°C to 85°C
Power Output Tolerance	0-+5Wp
Maximum System Voltage	1500V DC
Maximum Series Fuse Rating	20A
Nominal Operating Cell Temperature	48°C

Temperature Ratings STC

Temperature Coefficient of is	(+)0,04%/K
Temperature Coefficient of Voc	(-)0,30%/K
Temperature Coefficient of Pmax	(-)0,40%/K